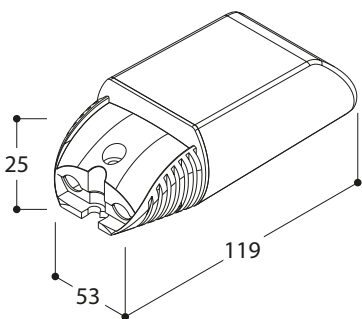


## 930592: POWERLED CONVERTER 10W 700mA 230V IP20 MAINS DIM LC



Mounting hole spacing, length	-
Product weight	81.00 g
Cable cross-section, input side	0.75...1.5 mm <sup>2</sup> <sup>1)</sup>
Cable cross-section, output side	0.5...1.5 mm <sup>2</sup> <sup>1)</sup>
Wire preparation length, input side	8.0...9.0 mm
Wire preparation length, output side	8.0...9.0 mm

<sup>1)</sup> Flexible / Solid leads

### Colors & materials

Casing material	Plastic
-----------------	---------

### Temperatures & operating conditions

Ambient temperature range	-20...+55 °C
Maximum temperature at tc test point	80 °C <sup>1)</sup>
Max.housing temperature in case of fault	110 °C
Permitted rel. humidity during operation	5...85 %

<sup>1)</sup> Maximum at the Tc-point

### Lifespan

ECG lifetime	50000 h <sup>1)</sup>
--------------	-----------------------

<sup>1)</sup> At T<sub>70</sub> = 70°C at T<sub>point</sub> / 10% failure rate

### Capabilities

Dimmable	Yes
Dimming interface	Phase Cut <sup>1)</sup>
Dimming range	10...100 %
Dimming method	Amplitude Modulation / Pulse Width Modulation
Overheating protection	Automatic reversible
Overload protection	Automatic reversible
Short-circuit protection	Automatic reversible
No-load proof	Yes
Max. cable length to lamp/LED module	2.0 m
Suitable for fixtures with prot. class	I / II
Type of connection, output side	Push terminal
Areas of application	Offices / Office corridors / Education / Shop lighting / Hospitality / Museums / Architectural / Decorative

<sup>1)</sup> Trailing edge / Leading edge

### Certificates & standards

Approval marks – approval	CE / ENEC 10 / VDE / CB
Standards	Acc. to IEC 61347-1/Acc. to IEC 61347-2-13/Acc. to IEC 62384/Acc. to CISPR 15/Acc. to IEC 61000-3-2/Acc. to IEC 61000-3-3/Acc. to IEC 61547
Protection class	II
Type of protection	IP20



### Electrical data

Nominal input voltage	220...240 V
Mains frequency	50...60 Hz
Input voltage AC	198...264 V <sup>1)</sup>
Total harmonic distortion	< 20 %
Power factor λ	0.95/0.90 <sup>2)</sup>
ECG efficiency	79 % <sup>3)</sup>
Device power loss	2.8 W <sup>4)</sup>
Inrush current	5 A <sup>5)</sup>
Max. ECG no. on circuit breaker 10 A (B)	110
Max. ECG no. on circuit breaker 16 A (B)	160
Max. ECG no. on circuit breaker 25 A (B)	-
Surge capability (L/N-Ground)	1 kV
Surge capability (L-N)	1 kV
Nominal output voltage	7...14 V
U-OUT (working voltage)	25 V
Nominal output current	700 mA <sup>6)</sup>
Output current tolerance	±10 %
Output ripple current (100 Hz)	35 %
Nominal output power	10 W <sup>7)</sup>
Galvanic isolation	SELV

<sup>1)</sup> Permitted voltage range

<sup>2)</sup> Full load at 230 V/Minimum load at 230 V

<sup>3)</sup> At full load and 230 V

<sup>4)</sup> Maximum

<sup>5)</sup> t<sub>width</sub> = 100 μs (measured at 50 % I<sub>peak</sub>)

<sup>6)</sup> ±10%

<sup>7)</sup> Partial load 5...10 W



ALWAYS DISCONNECT MAINS POWER SUPPLY FROM CONVERTER BEFORE SWITCHING "ON" LED LUMINAIRES TO PREVENT HOT PLUGGING ISSUES